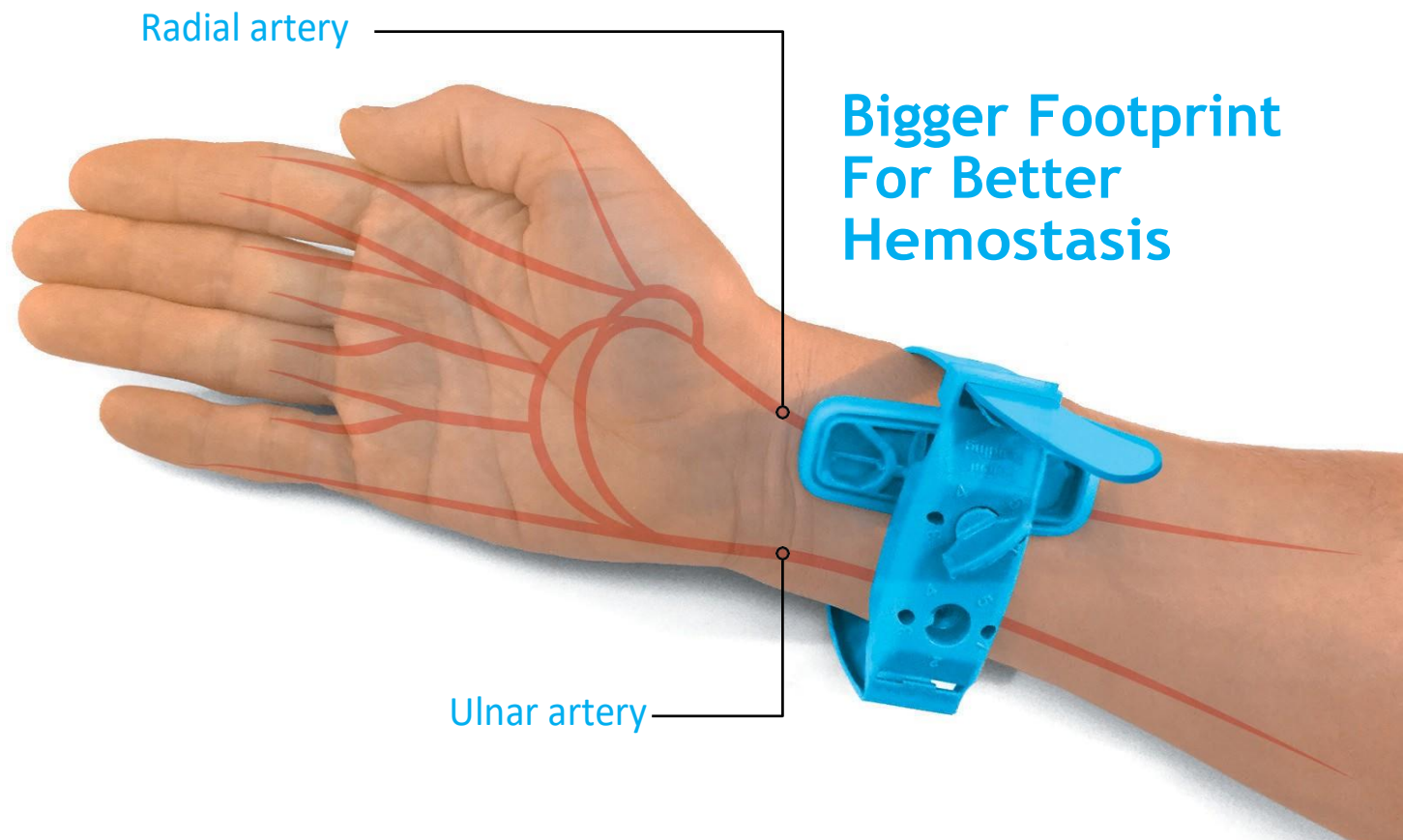


A FAST AND EASY WAY TO CREATE PATENT HEMOSTASIS



NEW Improved Version!
With optional ulnar compression

- + Quicker hemostasis;
- + More comfortable;
- + Fewer complications.

THE NEW BengalTM



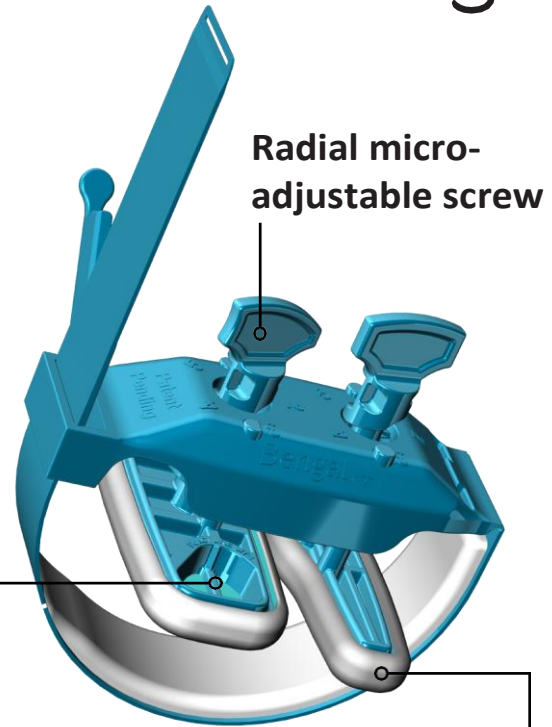
Bengal⁺TM

BIGGER FOOTPRINT FOR BETTER HEMOSTASIS

Great new features!

- Simple design facilitates easy application and removal.
- One device in one adjustable size, no syringe required.
- New cushion silicone for improved patient comfort.
- Improved safety lock.

New clear puncture site window



Radial micro-adjustable screw

Ulnar artery optional compression

Product information

PRODUCT CODE	DESCRIPTION
RLXX01BPS	<ul style="list-style-type: none"> • Bengal plus sterile compression band • Radial & Ulnar micro adjustable pad
RLXX01BP (CE Mark)	<ul style="list-style-type: none"> • Bengal plus non-sterile compression band • Radial & Ulnar micro adjustable pad • Melolite sterile gauze
RLXX01BPSWU	<ul style="list-style-type: none"> • Bengal plus sterile compression band • Radial micro adjustable pad
RLXX01BPWU (CE Mark)	<ul style="list-style-type: none"> • Bengal plus non-sterile compression band • Radial micro adjustable pad • Melolite sterile gauze
RLXX01 (CANADA/USA)	<ul style="list-style-type: none"> • Bengal compression band sterile • Radial pad • Melolite sterile gauze
RLXXE01 (CE Mark)	<ul style="list-style-type: none"> • Bengal compression band sterile • Radial pad • Melolite sterile gauze

Quantity Canada, Europe: 100 units/box
Quantity USA: 100 units/box, 50 units/box

Manufactured and Distributed by:

Benrikal Services Inc.

50 Ch. De la Rabastalière Est, Suite 22-A
St-Bruno (QC), J3V 2A5 Canada

T : 1-877-782-4044
F : 514-221-4079

www.groupates.org
customerservices@groupates.org

EUROPE - CANADA - CHINA - US PATENT